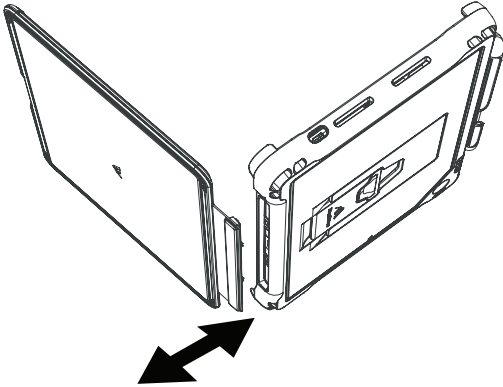


START

1 Keyboard removal/attachment

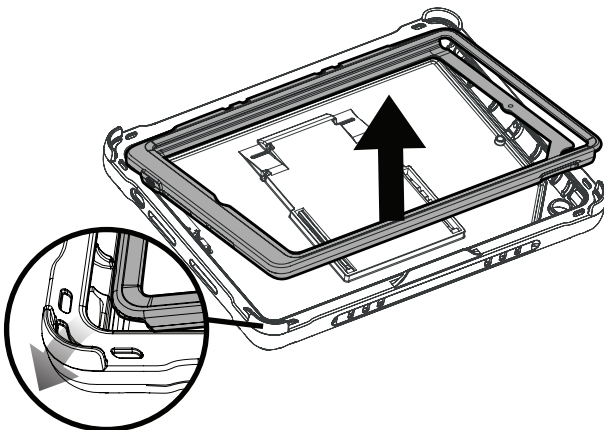
The keyboard is attached and held on the main case via magnets. Detach the keyboard by pulling outwards.



2 Remove inner tray

Flex the crumple corners away from the inner tray with your thumb.

Entirely remove the inner tray by pulling it outward.

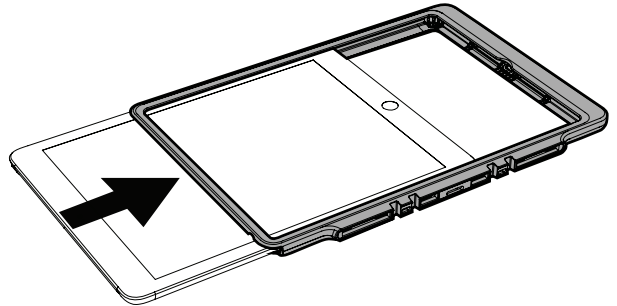


Edge Click Connect Keyboard Case

3 iPad + inner tray assembly

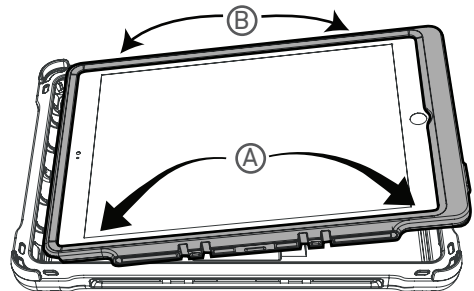
Insert your iPad into the open end as shown (Charging port end first).

Ensure that your device is fully inserted into the tray.



4 Inner tray + outer case assembly

- (A) Start with the LOWER/KEYBOARD edge. Insert a corner at a time into the outer case.
*Some resistance is normal.

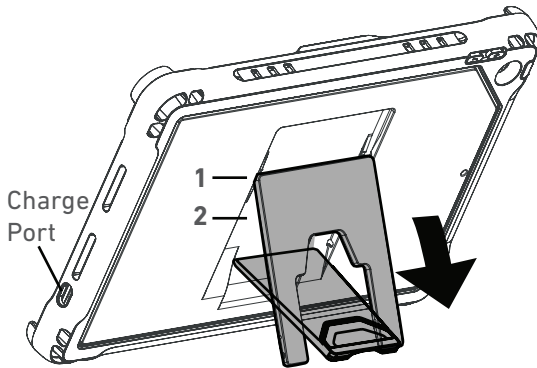


- (B) Insert the remaining top 2 edges (the LATCH side) into the outer case.

FEATURES

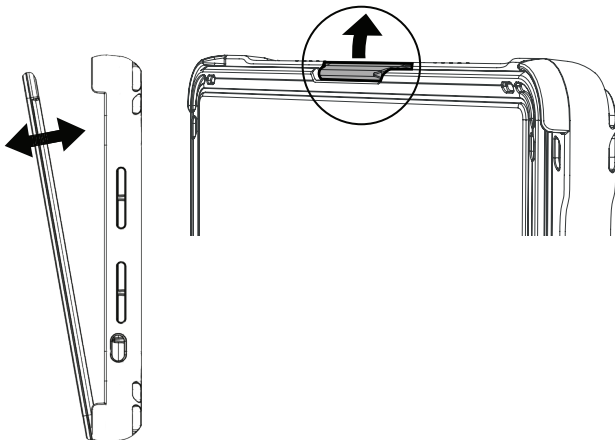
Kickstand

The kickstand has 2 angles for viewing.
Release the center tab and pull into place.



Latch Closure

Pull up on the center latch to release keyboard.
Press keyboard back up into closed position.

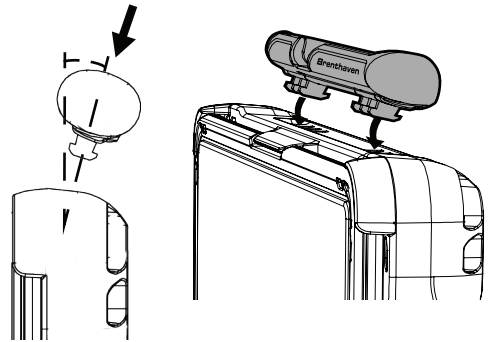


Stylus holder attachment

Line up the prongs on the bottom of the stylus holder to the slots on the main case.

Ensure Brenthaven logo faces towards the front of the case.

Insert the holder at a 10 degree angle.
Press fit into the main case until secure.



To remove the stylus holder, tilt the front and pull up and away.

