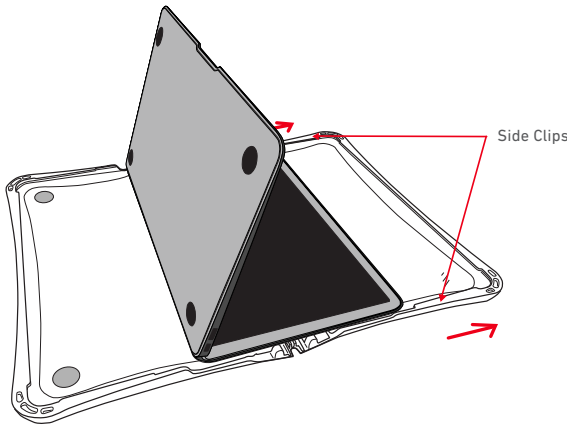


START

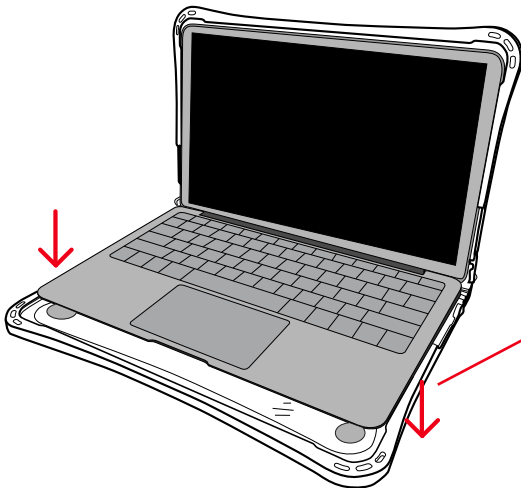
1 Slide in monitor

Open the device and gently slide the screen side under the top side clips on case until all 3 sides are secure.



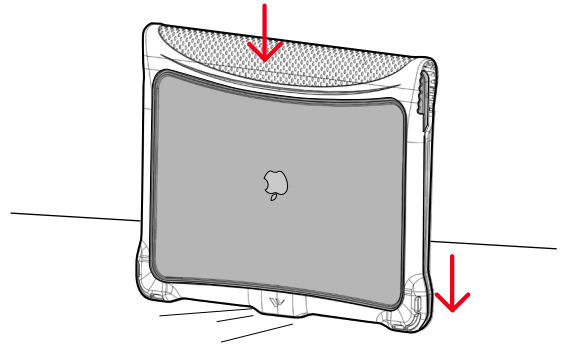
2 Press in keyboard

With the device in upright position, press the sides of the keyboard down into the case until securely attached—pressed into the side clips.



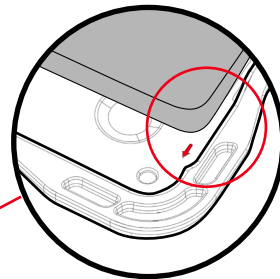
3 Ensure both sides are fully inserted

Close the assembled case and device, and press the bottom edges down onto a solid surface to ensure the device is fully seated in the case.



Troubleshooting Tips

- Ⓐ If inserting keyboard edge is too tight, flex the corners of the case a few times, and insert front edge of keyboard into the recessed channel on the left/right case sides



- Ⓑ If latch does not operate smoothly or securely, repeat step #3 to ensure fitment.